

# SUMITOMO

SH330-5  
SH330LC-5  
SH350HD-5  
SH350LHD-5

■ Engine Rated Power(Net) : 202 kW·274 PS
■ Operating weight :
SH330-5 ..... 33,400~34,100 kg
SH330LC-5 ..... 34,000~34,800 kg
SH350HD-5 ..... 35,600~36,300 kg
SH350LHD-5 ..... 36,100~36,900 kg
■ Bucket Capacity(ISO heaped) : 1.15~1.8 m <sup>3</sup>

**LEGEST**



**SUMITOMO (S.H.I.)**  
CONSTRUCTION MACHINERY  
MANUFACTURING CO., LTD.

731-1 Naganumahara-cho, Inage-ku, Chiba, 263-0001 Japan  
For further information please contact: Phone : +81-43-420-1796 Facsimile : +81-43-420-1907  
We are constantly improving our products and therefore reserve the right to change designs and specifications without notice. Illustrations may include optional equipment and accessories and may not include all standard equipment.

# Specifications

## SH330(LC)/350HD(LHD)-5 Technical Data Engine

SH330(LC)-5/SH350HD(LHD)-5	
Model	ISUZU AH-6HK1XYSS
Type	Water-cooled, 4-cycle, diesel, 6-cylinder in line, direct injection (electric control), turbocharger with air cooled intercooler.
Rated output	202 kW · 274 PS/2,000 min <sup>-1</sup>
Maximum torque	1,080 N·m at 1,500 min <sup>-1</sup>
Piston displacement	7,790 cc
Bore and stroke	115 mm x 125 mm
Starting system	24 V electric motor starting
Alternator	24 V, 50 A
Fuel tank	580 liters
Air filter	Double element

### SIH:S

Two variable displacement axial piston pumps, one gear pump for pilot controls and the electronic-controlled engine of SPACE5 and SIH:S (SUMITOMO Interigent Hydraulic System) includes: three working mode (SP,H,A) one-touch/automatic idling system and automatic power-boost.

### Hydraulic pumps

Two variable displacement axial piston pumps supply power for attachment, swing and travel.

SH330(LC)-5/SH350HD(LHD)-5	
Maximum oil flow	2 x 290 liters/min
Pilot pump max.oil flow	30 liters/min

### Hydraulic motors

For travel: Two variable displacement axial piston motors  
For swing: One fixed displacement axial piston motor

### Working circuit pressure

Boom/arm/bucket .....34.3 Mpa(350 kgf/cm<sup>2</sup>)  
Boom/arm/bucket .....37.3 Mpa(380 kgf/cm<sup>2</sup>)with auto power-up  
Swing circuit .....30.4 Mpa(310 kgf/cm<sup>2</sup>)  
Travel circuit .....34.3 Mpa(350 kgf/cm<sup>2</sup>)

### Control valve

With boom/arm holding valve  
One 4-spool valve for right track travel, bucket, boom and arm acceleration  
One 5-spool valve for left track travel, auxiliary, swing, boom acceleration and arm

### Oil filtration

Return filter ..... 6 microns  
Pilot filter ..... 8 microns  
Suction filter ..... 105 microns

### Hydraulic cylinders

SH330(LC)-5/SH350HD(LHD)-5		
Boom	2	145 mm x 100 mm x 1495 mm
Arm	1	170 mm x 120 mm x 1748 mm
Bucket	1	150 mm x 105 mm x 1210 mm

Double-acting, bolt-up-type cylinder tube-end; hardened steel bushings are installed in the cylinder tube and rods ends.

### Cab & Controls

The cab is mounted on 4 fluid mountings. Features include safety glass front, rear and side windows, reclining/sliding cloth upholstered suspension seat with headrest and armrest, cigarette lighter, pop-up skylight window, and intermittent wiper with washer. The front window slides upward for storage, and the lower front window is removable. Control levers are located in 4 positions with tilting control consoles. Reliable soft-touch switches are a standard feature. An easy-to-read full-dot LCD monitor keeps operation in touch with critical machine functions.

### Swing

Planetary reduction is powered by an axial piston motor. The internal ring gear with has a grease cavity for pinion. The swing bearing is a single-row shear type ball bearing. Dual stage relief valves are used for smooth swing deceleration and stops. A mechanical disc swing brake is included.

SH330(LC)-5/SH350HD(LHD)-5	
Swing speed	0~9.8 rpm
Tail swing radius	3,450 mm
Swing torque	112 kN·m · 11,420 kgf·m

### Undercarriage

An X-style carbody is integrally welded for strength and durability. The grease cylinder track adjusters have shock absorbing springs. The undercarriage has lubricated rollers and idlers.

### Type of shoe: sealed link shoe

#### Upper rollers -

Heat treated, mounted on steel bushings with leaded bronze casting, sealed for lifetime lubrication.

#### Lower rollers -

Heat treated, mounted on steel bushings with leaded bronze casting, sealed for lifetime lubrication.

#### Track adjustment -

Idler axles adjusted with grease cylinder integral with each side frame; adjustment yoke mechanism fitted with heavy duty recoil spring.

### Number of rollers and shoes on each side

SH330-5/SH350HD-5	
Upper rollers	2
Lower rollers	7
Track shoes	45

SH330LC-5/SH350LHD-5	
Upper rollers	2
Lower rollers	8
Track shoes	48

### Travel System

Two-speed independent hydrostatic system with compact axial motors for increased performance. Hydraulic motor powered output shaft coupled to a planetary reduction unit and track sprocket. All hydraulic components mounted within the width of side frame. Travel speed can be selected by switch panel. Hydraulically released disc parking brake is built each motor.

SH330(LC)-5/SH350HD(LHD)-5		
Travel speed	High	5.5 km/h
	Low	3.5 km/h
Drawbar Pull	265 kN/264 kN	

### Lubricant & Coolant capacity

SH330(LC)-5/SH350HD(LHD)-5	
Hydraulic system	350 liters
Hydraulic oil tank	175 liters
Fuel tank	580 liters
Cooling system	30 liters
Final drive case(per side)	9.5 liters
Swing drive case	7.9 liters
Engine crank case (with remote oil filter)	38 liters

## Auxiliary hydraulic system

SH330(LC)-5			
Auxiliary piping type (option)	For Breaker	For Double (breaker & crusher) acting	For D/A + Second option line STD
Arm type	STD	STD with Reinforcement plate	STD with Reinforcement plate
Bucket linkage type	HD	HD	HD
Auxiliary hydraulic pump flow	290 liters/min	580 liters/min	580 liters/min+63 liters/min

SH350HD(LHD)-5			
Auxiliary piping type (option)	For Breaker	For Double (breaker & crusher) acting	For D/A + Second option line STD
Arm type	HD with Reinforcement plate	HD with Reinforcement plate	HD with Reinforcement plate
Bucket linkage type	HD	HD	HD
Auxiliary hydraulic pump flow	290 liters/min	580 liters/min	580 liters/min+63 liters/min

## Bucket

Model	SH330(LC)-5					SH350HD(LHD)-5		
	Bucket capacity (ISO/SAE/PCSA heaped) unit:m <sup>3</sup>	1.15 m <sup>3</sup>	1.4 m <sup>3</sup>	1.4HD m <sup>3</sup>	1.6 m <sup>3</sup>	1.8 m <sup>3</sup>	1.4HD m <sup>3</sup>	1.6HD m <sup>3</sup>
Bucket capacity (CECE heaped) unit:m <sup>3</sup>	0.99 m <sup>3</sup>	1.21 m <sup>3</sup>	1.21 m <sup>3</sup>	1.36 m <sup>3</sup>	1.53 m <sup>3</sup>	1.21 m <sup>3</sup>	1.36 m <sup>3</sup>	
Bucket type	STD	STD	HD	STD	STD	HD	HD	
Number of teeth	4	5	5	5	5	5	5	
A Length	1 740 mm		1 730 mm	1 740 mm		1 730 mm		
B Length	1 740 mm		1 400 mm	1 740 mm		1 400 mm		
Width unit:mm	With side cutter	1 233 mm	1 435 mm	1 424 mm	1 575 mm	1 733 mm	1 424 mm	1 564 mm
	Without side cutter	1 100 mm	1 302 mm	1 310 mm	1 442 mm	1 600 mm	1 310 mm	1 450 mm
Weight unit:kg	2.63 m arm	1 045 kg	1 170 kg	1 500 kg	1 240 kg	1 320 kg	1 500 kg	1 575 kg
	3.25 m arm	⊙	⊙	⊙	●	○	⊙	●
Combination	4.04 m arm	●	○	○	N/A	N/A	—	—

⊙ Suitable for materials with density up to 2,000 kg/m<sup>3</sup> or less

● Standard bucket (Suitable for materials with density up to 1,800 kg/m<sup>3</sup> or less)

○ Suitable for materials with density up to 1,600 kg/m<sup>3</sup> or less

△ Suitable for materials with density up to 1,200 kg/m<sup>3</sup> or less

## Weight & Ground Pressure

Model	SH330(LC)-5		
	Shoe type	Shoe width	Operating weight
Triple grouser shoe	600 mm	33 400 kg (34 000 kg)	67 kPa (64 kPa)
	800 mm	34 100 kg (34 800 kg)	52 kPa (49 kPa)

Model	SH350HD(LHD)-5		
	Shoe type	Shoe width	Operating weight
Triple grouser shoe	600 mm	35 600 kg (36 100 kg)	72 kPa (67 kPa)
	800 mm	36 300 kg (36 900 kg)	55 kPa (52 kPa)

## Digging Force

Model	SH330(LC)-5/SH350HD(LHD)-5			
	Arm length	2.63 m	3.25 m	4.04 m
Bucket digging force <with auto power up>	ISO 6015	229 kN <248 kN>		
	SAE: PCSA	204 kN <221 kN>		
Arm digging force <with auto power up>	ISO	195 kN <211 kN>	164 kN <178 kN>	140 kN <152 kN>
	SAE: PCSA	189 kN <205 kN>	160 kN <173 kN>	137 kN <149 kN>





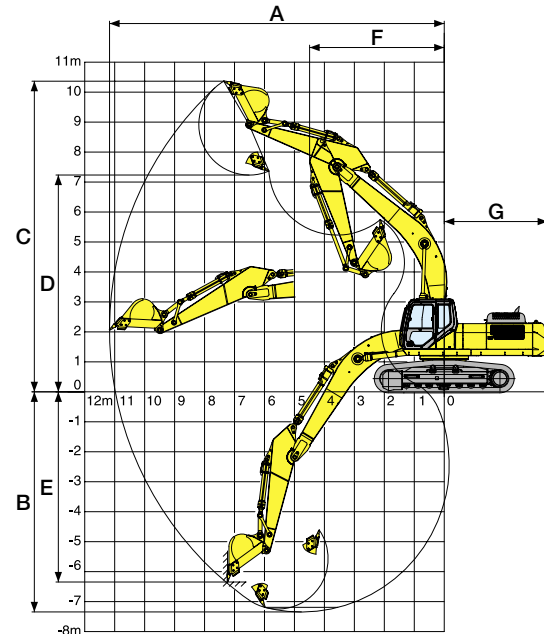




## Working Range

	SH330(LC)-5		
Arm length	2.63 m	3.25 m	4.04 m
Boom length	6.45 m		
A Max digging radius	10 670 mm	11 170 mm	11 900 mm
B Max digging depth	6 730 mm	7 340 mm	8 140 mm
C Max digging height	10 320 mm	10 370 mm	10 670 mm
D Max dumping height	7 140 mm	7 230 mm	7 540 mm
E Max vertical wall cut depth	5 970 mm	6 350 mm	7 150 mm
F Min. front swing radius	4 630 mm	4 500 mm	4 560 mm
G Rear end swing radius	3 450 mm		

	SH350HD(LHD)-5	
Arm length	2.63 m	3.25 m
Boom length	6.45 m	
A Max digging radius	10 670 mm	11 170 mm
B Max digging depth	6 730 mm	7 340 mm
C Max digging height	10 320 mm	10 370 mm
D Max dumping height	7 140 mm	7 230 mm
E Max vertical wall cut depth	5 970 mm	6 350 mm
F Min. front swing radius	4 630 mm	4 500 mm
G Rear end swing radius	3 450 mm	



## Principle Specifications

	SH330-5	SH330LC-5	SH350HD-5	SH350LHD-5
	STD Specifications	STD Specifications	STD Specifications	STD Specifications
Base				
Boom length	6.45 m		6.45 m (HD type)	
Arm length	3.25 m		3.25 m (HD type)	
Bucket capacity (ISO heaped)	1.40 m <sup>3</sup>		1.40 m <sup>3</sup> (HD type)	
Std. operating weight	33 400 kg	34 000 kg	35 600 kg	36 100 kg
Engine	ISUZU AH-6HK1XYSS			
Rated output	202 kw/2 000 min <sup>-1</sup>			
Displacement	7 790 ml(cc)			
Main pump	2 variable displacement axial piston pumps with regulating system			
Hydraulic System				
Max pressure	34.3 Mpa			
/with auto power boost	37.3 Mpa			
Travel motor	Variable displacement axial piston motor			
Parking brake type	Mechanical disc brake			
Swing motor	Fixed displacement axial piston motor			
Travel speed	5.5/3.5 km/h			
Performance				
Traction force	265 kN	265 kN	264 kN	264 kN
Grade ability	70% <35°>			
Ground pressure	67 kPa	64 kPa	72 kPa	67 kPa
Swing speed	9.8 min <sup>-1</sup>			
Bucket digging force	229 kN			
/with power boost	248 kN			
Arm digging force	164 kN			
/with power boost	178 kN			
Others				
Fuel tank	580 liter			
Hydraulic fluid tank	350 liter			

## Standard equipment

### [Hydraulic system]

- SIH:S hydraulic system
- Operation mode (SP, H and A mode)
- Auto/one-touch idling
- Automatic 2-speed travel
- Automatic power boost
- Arm/boom/bucket reactivation circuit
- Automatic swing parking system
- High-performance return filter

### [Cab/interior equipment]

- Tilting console
- Open air introducing pressurized full-automatic air conditioner
- Defroster
- Hot & cool box
- Water-repelling operator's seat
- Seat suspension
- Rise-up wiper (with intermittent operation function)
- Cup holder
- AM/FM radio (with muting function)
- Clock
- Magazine rack
- Accessory case
- Floor mat
- Armrest & headrest
- Ashtray & cigar lighter
- Room light (Auto-OFF function)
- Coat hook

### [Safety equipment]

- Rearview mirror (left/right)
- Emergency escape tool
- Winding seat belt
- Gate lock lever
- Travel alarm (with on and off switch)
- Anti-theft alarm system
- Engine room firewall
- Fan guard
- Engine emergency stop switch

### [Others]

- EMS
- Long-life hydraulic oil
- Two lights (main unit and left of arm)
- Fuel filter (with water separator)
- Fuel prefilter (with water separator)
- Double-element air cleaner
- Grease-enclosed track link
- Bucket rattling control mechanism
- Large tool box
- A set of tools

## Accessories (option)

### ■ Cab-top light



### ■ Rain reflector



### ■ Front guard (OPG level 1)



### ■ Head guard for SH350HD (FOPS level 2)



### ■ 12V power (DC-DC converter)



### ■ Polycarbonate with sunshade roof top window



### ■ Air suspension (KAB seat)



### ■ Full track guard

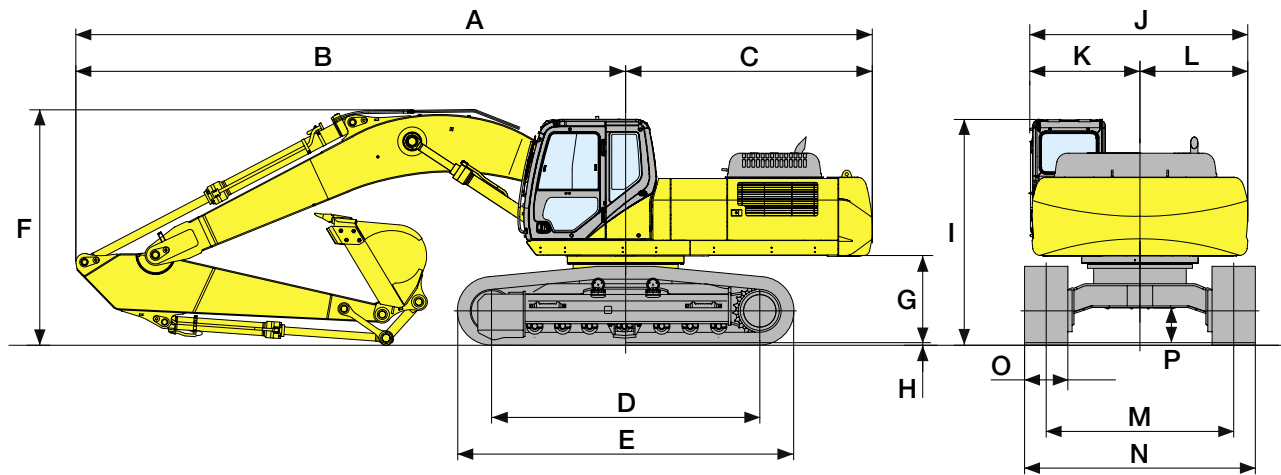
### ■ Re-fuel Pump

### ■ Pre-cleaner

### ■ Hose burst check valve (for arm/boom cylinder)

### ■ Lower window guard

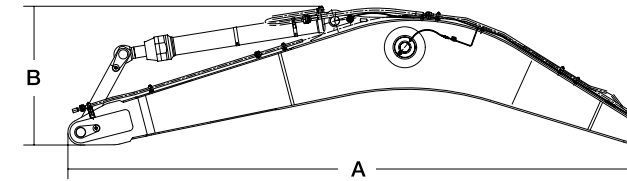
## Dimensions



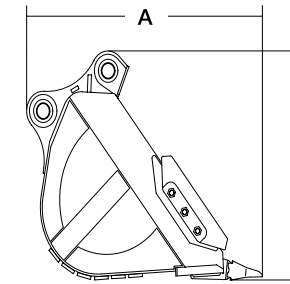
Model	SH330-5			SH330LC-5		
Arm length	2.63 m	3.25 m	4.04 m	2.63 m	3.25 m	4.04 m
A Overall length	11 130 mm	11 050 mm	11 090 mm	11 130 mm	11 050 mm	11 090 mm
B Length from center of machine (to arm top)	7 710 mm	7 630 mm	7 670 mm	7 710 mm	7 630 mm	7 670 mm
C Upper structure rear end radius	3 450 mm					
D Center to center of wheels	3 720 mm			4 040 mm		
E Overall track length	4 650 mm			4 980 mm		
F Overall height	3 500 mm	3 260 mm	3 480 mm	3 500 mm	3 260 mm	3 480 mm
G Clearance height under upper structure	1 210 mm					
H Shoe lug height	36 mm					
I Cab height	3 130 mm					
J Upper structure overall width	3 020 mm					
K Width from center of machine (left side)	1 530 mm					
L Width from center of machine (right side)	1 490 mm					
M Track gauge	2 600 mm					
N Overall width	3 200 mm					
O Std. Shoe width	600 mm					
P Minimum ground clearance	480 mm					

Model	SH350HD-5		SH350LHD-5	
Arm length	2.63 m	3.25 m	2.63 m	3.25 m
A Overall length	11 130 mm	11 050 mm	11 130 mm	11 050 mm
B Length from center of machine (to arm top)	7 710 mm	7 630 mm	7 710 mm	7 630 mm
C Upper structure rear end radius	3 450 mm			
D Center to center of wheels	3 720 mm		4 040 mm	
E Overall track length	4 650 mm		4 980 mm	
F Overall height	3 500 mm	3 260 mm	3 500 mm	3 260 mm
G Clearance height under upper structure	1 210 mm			
H Shoe lug height	36 mm			
I Cab height	3 130 mm			
J Upper structure overall width	3 120 mm			
K Width from center of machine (left side)	1 560 mm			
L Width from center of machine (right side)	1 560 mm			
M Track gauge	2 600 mm			
N Overall width	3 200 mm			
O Std. Shoe width	600 mm			
P Minimum ground clearance	480 mm			

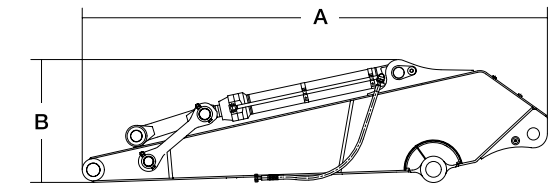
## ● Boom



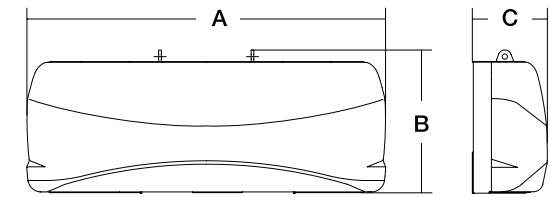
## ● Bucket



## ● Arm



## ● Counter weight



## Boom

Model	SH330(LC)-5	SH350HD(LHD)-5
A	6.45 m	
B	1 710 mm	
Width	860 mm	
Weight	3 870 kg	4 170 kg

## Arm

Model	SH330(LC)-5			SH350HD(LHD)-5	
A	2.63 m	3.25 m	4.04 m	2.63 m	3.25 m
Type	STD			HD	
B	1 130 mm	1 080 mm	1 060 mm	1 130 mm	1 080 mm
Width	390 mm			390 mm	
Weight	1 900 kg	1 805 kg	2 135 kg	1 972 kg	2 030 kg

## Bucket

Model	SH330(LC)-5					SH350HD(LHD)-5	
Bucket capacity (ISO/SAE/PCSA heaped) unit:mm	1.15 m <sup>3</sup>	1.4 m <sup>3</sup>	1.4HD m <sup>3</sup>	1.6 m <sup>3</sup>	1.8 m <sup>3</sup>	1.4HD m <sup>3</sup>	1.6HD m <sup>3</sup>
A	1 740		1 730	1 740		1 730	
B	1 740		1 400	1 740		1 400	
Width unit:mm	With side cutter		1 233	1 435	1 424	1 575	1 733
	Without side cutter		1 100	1 302	1 310	1 442	1 600
Weight unit:kg	1 045	1 170	1 500	1 240	1 320	1 500	1 575

## Counter Weight

Model	SH330(LC)-5		SH350HD(LHD)-5
A	2 990 mm		
B	1 194 mm		
C	625 mm		
Weight	6 400kg		7 400kg